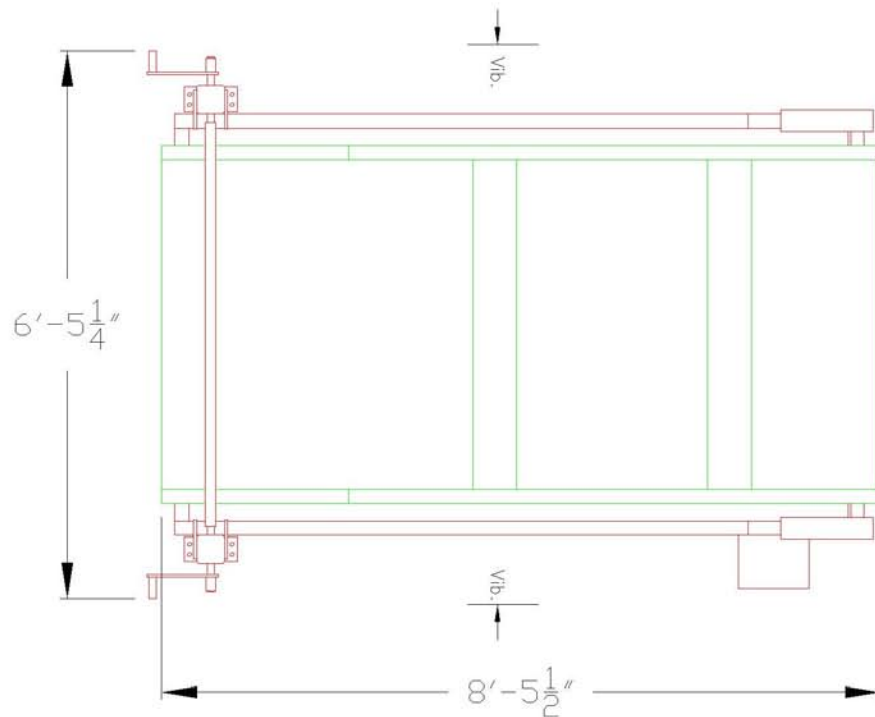


Notes: A total of 10 high performance 4" hydrocyclones connect to the hydrocyclone manifold.



Vortex Fluid Systems Inc.
TULSA, OKLAHOMA

TITLE: Orbital 3000 Horizontal Boring 4 Panel Mud Cleaner

DRAWING NUMBER: 21 SCALE: -----

PAGE: 1 of 1 DATE: 3/12/09

COMMENTS:
For the most current dimensional drawings visit VFSI online at www.vortexfluidsystems.com and click on downloads in the menu bar.