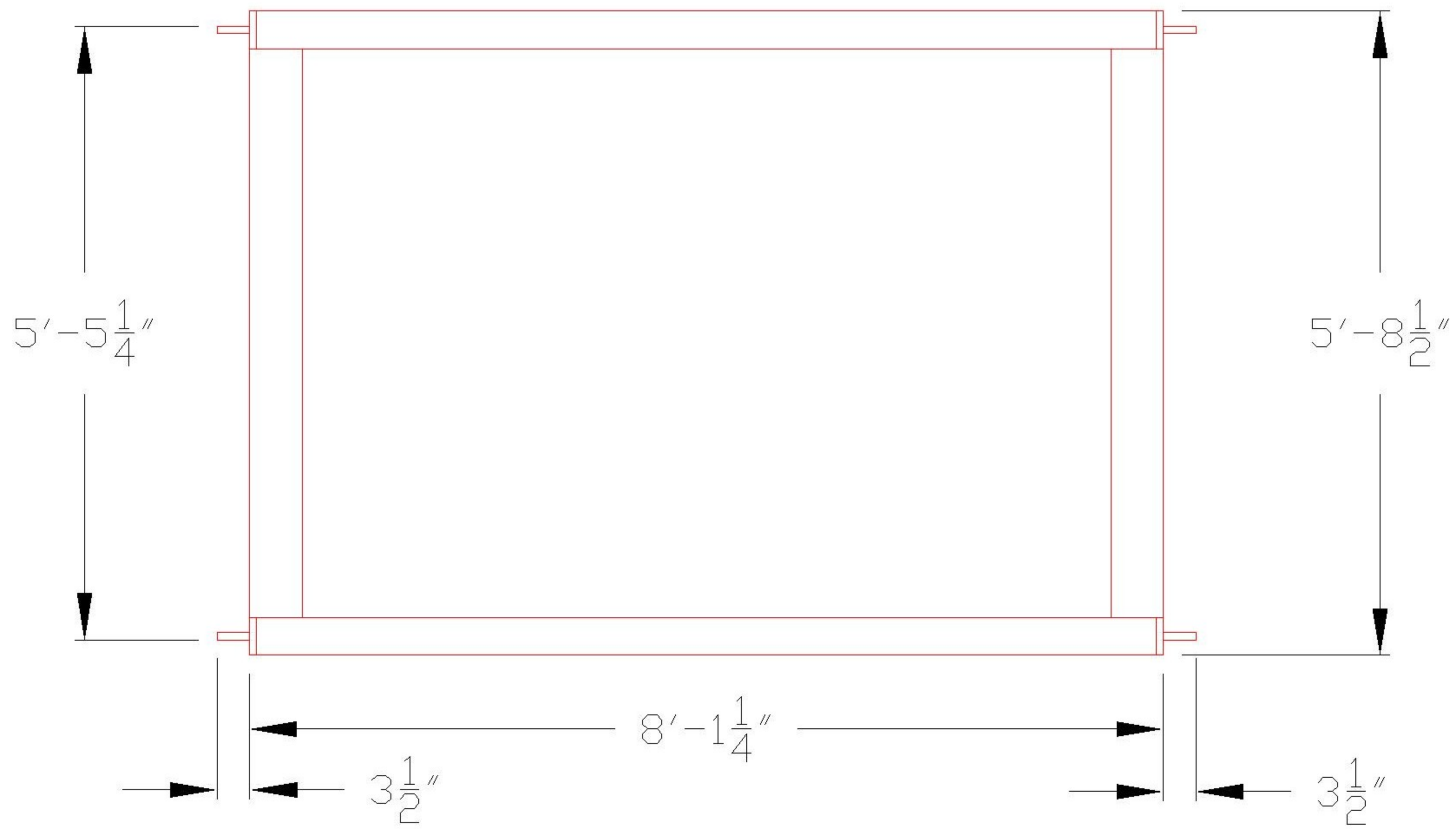
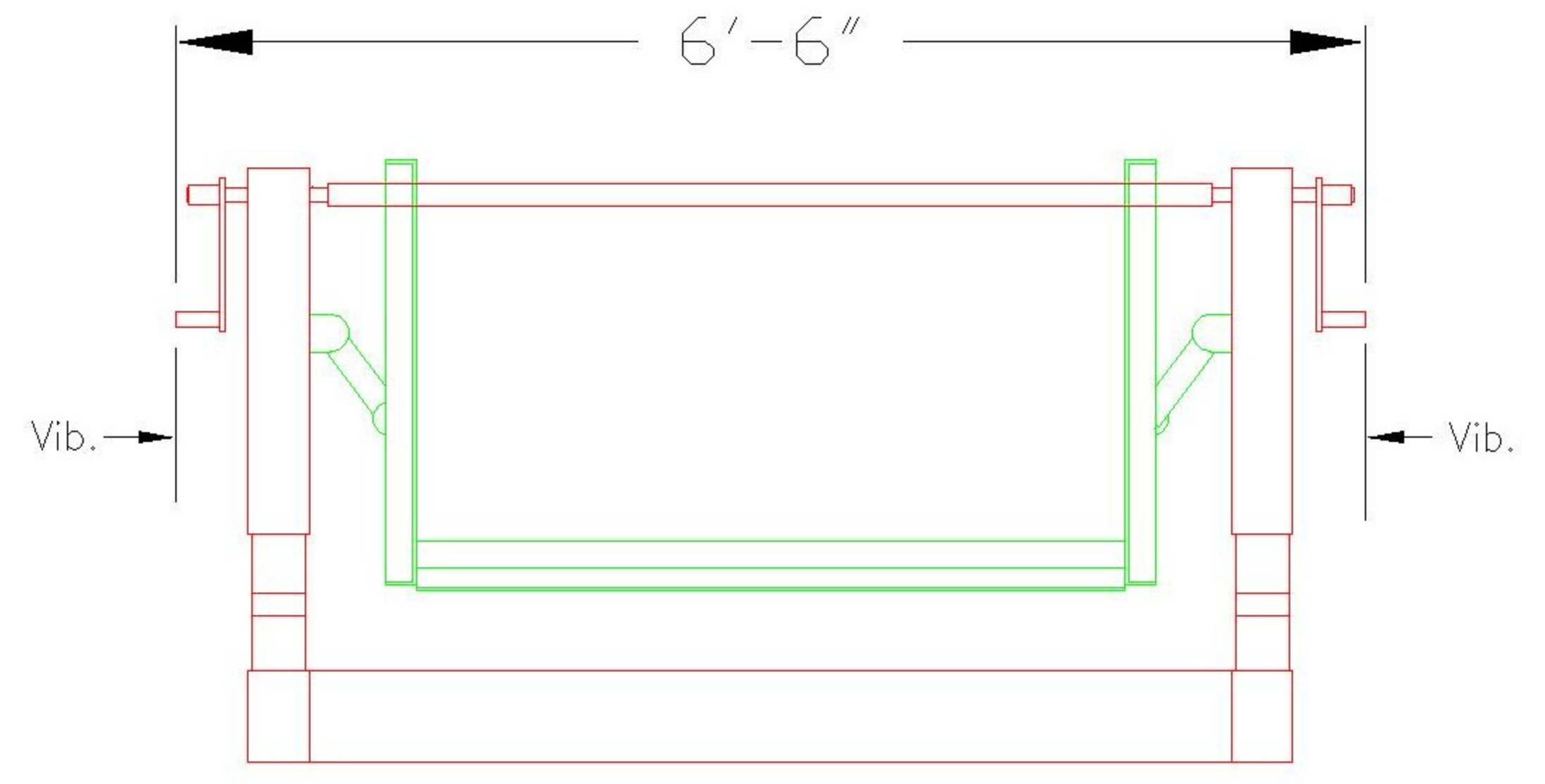
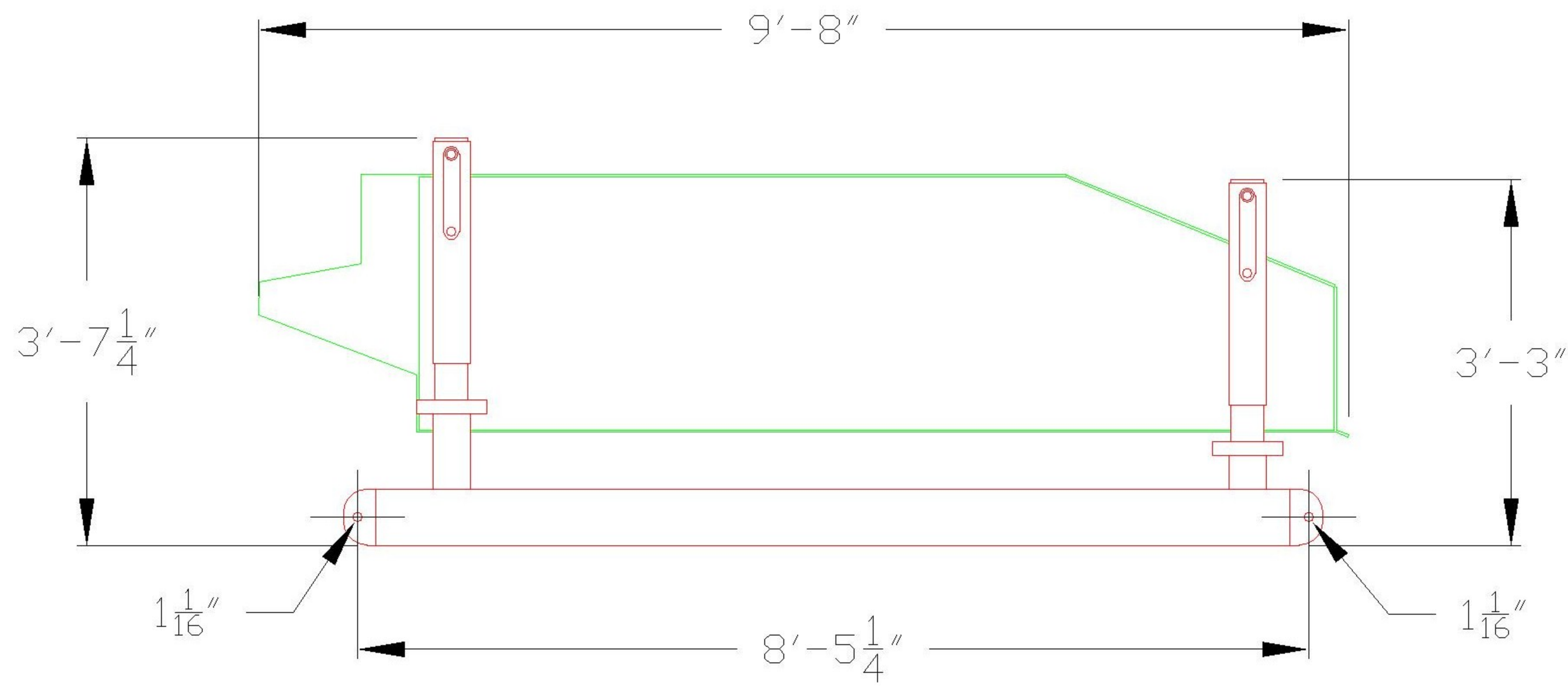




This drawing contains Vortex Fluid Systems Inc. proprietary data for use in field implementation only.



Note:

- a) Vibrators extend 4.75" on each side of the base
- b) total weight of the Orbital Drying Shaker is 2500 lb

Vortex Fluid Systems Inc. TULSA, OKLAHOMA	
TITLE Orbital Drying Shaker	
DRAWING NUMBER: 5-1	SCALE: -----
PAGE: 1 of 1	DATE: 3/1/08
COMMENTS: For the most current dimensional drawings visit VFSI online at www.vortexfluidsystems.com and click on downloads in the menu bar.	