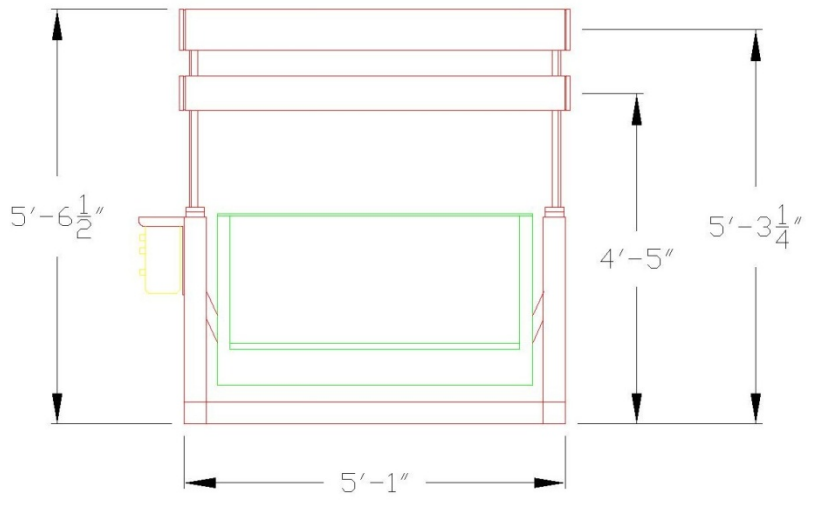
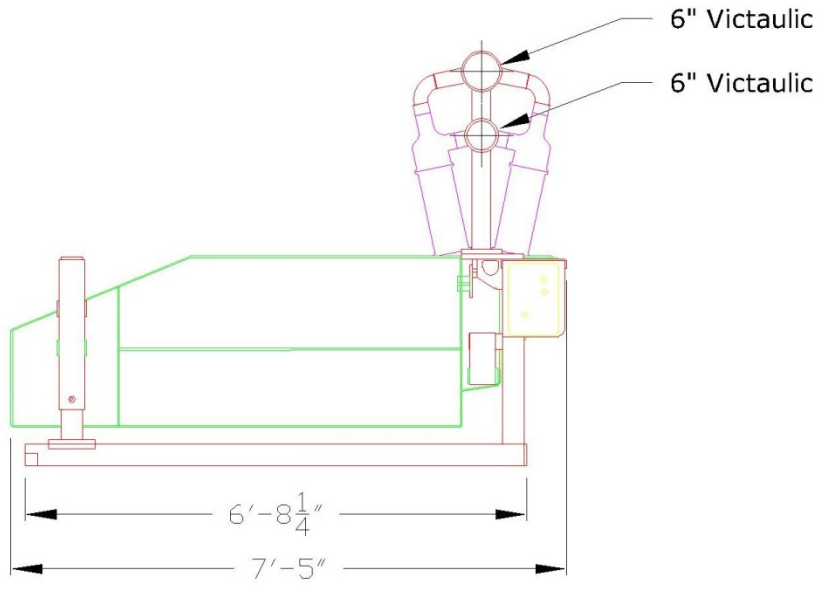
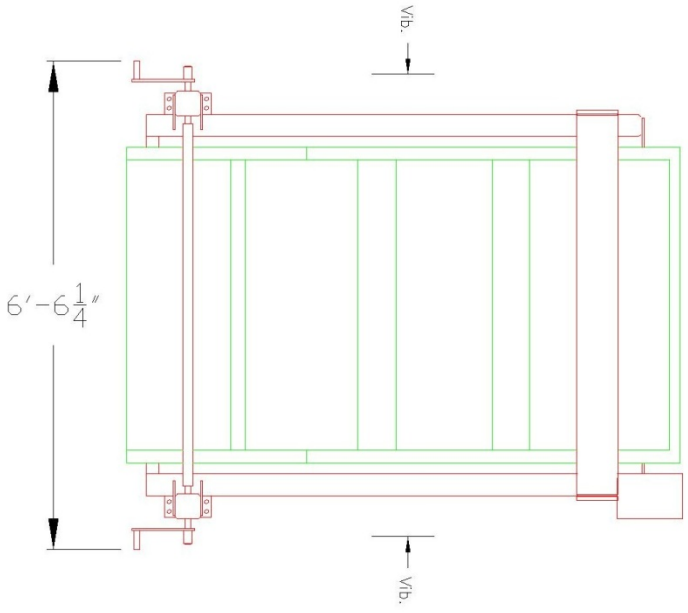




This drawing contains Vortex Fluid Systems Inc. proprietary data for use in field implementation only.



Notes: A total of 10 high performance 4" hydrocyclones connect to the hydrocyclone manifold.



| | |
|--|---------------|
| Vortex Fluid Systems Inc. TULSA, OKLAHOMA | |
| TITLE Orbital Horizontal Boring Mud Cleaner Orbital Wastewater Grit Removal System | |
| DRAWING NUMBER: 9-1 | SCALE: ----- |
| PAGE: 1 of 1 | DATE: 3/12/09 |
| COMMENTS: This drawing is of the Vortex Fluid Systems, Inc. Orbital Horizontal Boring Mud Cleaner For more information about our product line visit www.vortexfluidsystems.com | |